

EPSON®

**Instructions for Supporting
EPSON CD/DVD Printing**

May 21, 2010

Instructions for Supporting EPSON CD/DVD Printing

Selected Epson printers have the capability to print directly onto printable CD/DVD media by using an already included CD/DVD tray. Software applications developers can easily add CD/DVD label templates to their label template library so that users can take advantage of this unique feature of Epson.

When creating the template, there are specific dimensions that need to be considered. The following sections explain which tray types each Epson printer uses and the dimension settings that need to be specified.

1. The following printers support CD/DVD printing.

Printer Name				Tray Type
America	Europe	Pacific	Japan	(Type 1 or 2)*
N/A	Stylus Photo 2100	Stylus Photo 2100	PM-4000PX	Epson CD/DVD Tray Type #2
Stylus Photo 960	Stylus Photo 950	Stylus Photo 950	PM-950C	Epson CD/DVD Tray Type #2
Stylus Photo 900	Stylus Photo 900	Stylus Photo 900	PM-870C	Epson CD/DVD Tray Type #1
Stylus Photo R300	Stylus Photo R300	Stylus Photo R310	PM-D750	Epson CD/DVD Tray Type #2
Stylus Photo R800	Stylus Photo R800	N/A	PX-G900	Epson CD/DVD Tray Type #2
Stylus Photo R200	Stylus Photo R200	Stylus Photo R210	PM-G700	Epson CD/DVD Tray Type #2
N/A	N/A	N/A	PM-900C	Epson CD/DVD Tray Type #1
N/A	N/A	N/A	PM920C	Epson CD/DVD Tray Type #1
N/A	N/A	N/A	PM890C	Epson CD/DVD Tray Type #1
N/A	N/A	N/A	PM-970C	Epson CD/DVD Tray Type #2
N/A	N/A	N/A	PM-930C	Epson CD/DVD Tray Type #2
N/A	N/A	N/A	PM-980C	Epson CD/DVD Tray Type #2
N/A	N/A	N/A	PM-G800	Epson CD/DVD Tray Type #2

Refer to section "5. Some Implementation Considerations" on naming tips.

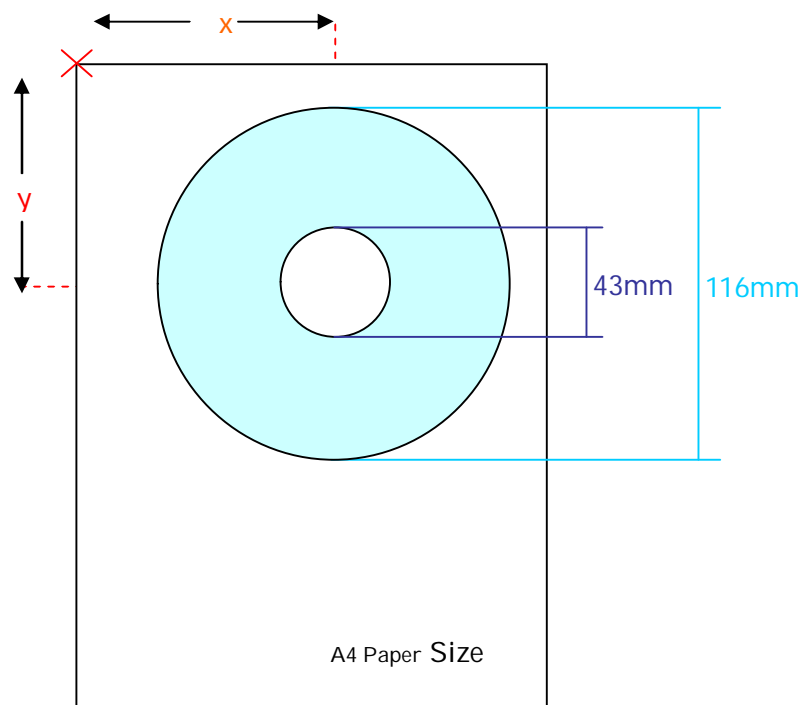
2. The paper size for CD/DVD printing is A4. The following is the center position (x-y position) based on the A4 paper size (as illustrated in section 3.)

Epson CD/DVD Tray Type #1:	y: 139mm	x: 141mm
Epson CD/DVD Tray Type #2:	y: 67.5mm	x: 75mm

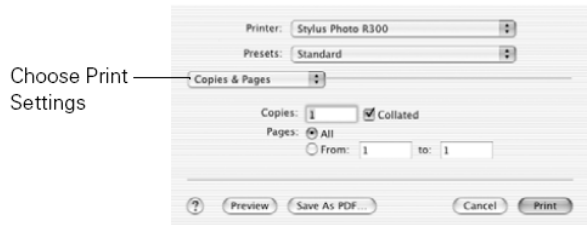
Note: It is recommended to have a calibration tool for precise position adjustment.

3. The printing area of a 12cm CD/DVD is approximately shown below. There are varieties of media available. The illustration below is just an example of a typical case.

[Caution] Some CDs/DVDs can be printed inside the small circle of this image, but the application software should **NOT** print there with pigment ink printers.

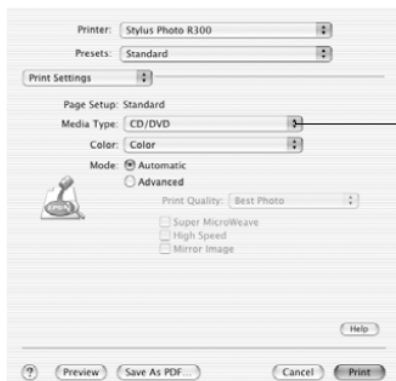


4. To print CDs/DVDs, there are a few settings that need to be made within the printer driver. To illustrate, the below diagram is an example of the settings required for the Epson Stylus Photo R300. Please refer to the printer's user manual for additional usage information on CD/DVD printing.

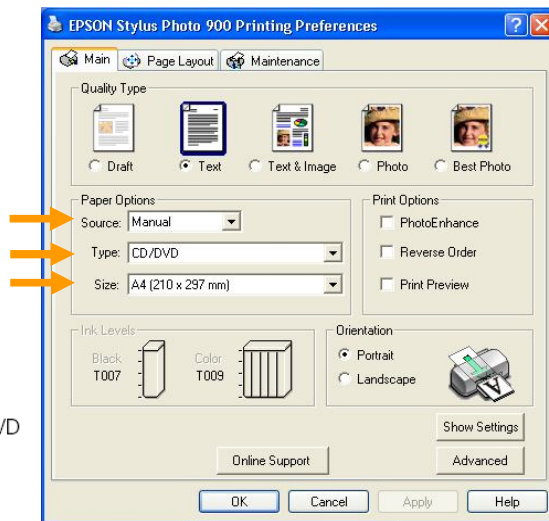


Choose Print Settings

Choose CD/DVD for the Media Type setting, then click Print.



Choose CD/DVD



5. Some Implementation Considerations

As illustrated, there are 2 types of trays that Epson uses for CD/DVD printing. When supporting Epson's CD/DVD printers, you may consider either listing each individual printer or simply list the tray type (i.e. "Epson CD/DVD Tray Type #1" or "Epson CD/DVD Tray Type #2.") Before deciding, you should understand the benefits and shortcomings for each method.

Listing each individual printer by model name indeed makes it easier to the user. If they have an Epson Stylus Photo 900, they will select the CD/DVD printing template for the Epson Stylus Photo 900 as listed in your application's menu. However, creating a list of each individual printer can take a considerable amount of space on your selection window. In addition, it may be difficult to keep your library up-to-date with each new printer that Epson launches with CD/DVD printing support.

Listing supported printers within your application by tray type can help you minimize the graphical space and work (development/testing) to support Epson's printers. Supporting one tray type will cover all of the printers that use those same tray dimensions. Further, it may help you cover future models. On the other hand, a user will need to do some experimenting with each tray type before understanding that one tray type works over the other.

To offer a clear workflow and compatibility with future printers, Epson recommends listing both tray types and printer models.



Epson continues to enhance printing all-around. There may be new models each year that have improved printing features (including CD/DVD printing.) The Epson Developer Relations Group suggests that you periodically check <http://www.epsondevelopers.com> for updates to this document.